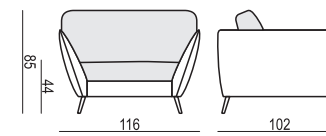
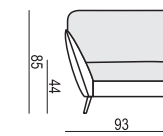




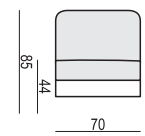
**ARMCHAIR**



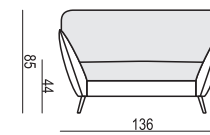
**ARMCHAIR LEFT (or RIGHT)**



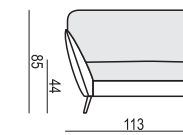
**ARMCHAIR without ARMRESTS**



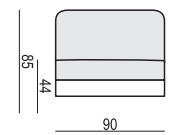
**ARMCHAIR WIDE**



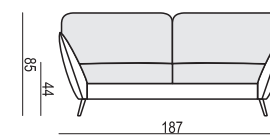
**ARMCHAIR WIDE LEFT (or RIGHT)**



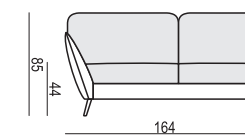
**ARMCHAIR WIDE without ARMRESTS**



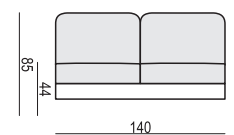
**2 SEATER**



**2 SEATER LEFT (or RIGHT)**



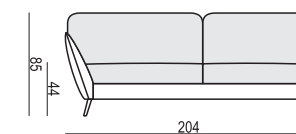
**2 SEATER without ARMRESTS**



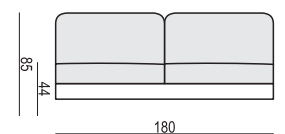
**3 SEATER**



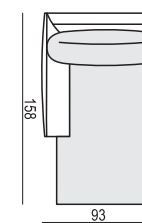
**3 SEATER LEFT (or RIGHT)**



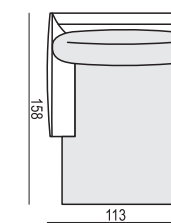
**3 SEATER without ARMRESTS**



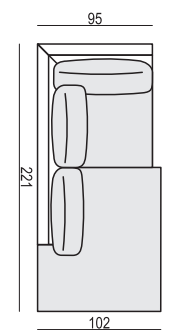
**CHAISELONGUE LEFT (or RIGHT)**



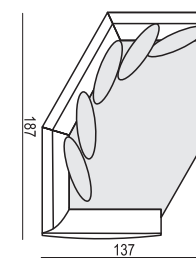
**CHAISELONGUE WIDE LEFT (or RIGHT)**



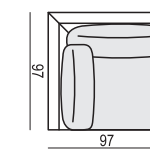
**DIVAN LEFT (or RIGHT)**



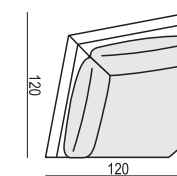
**COZY CORNER LEFT (or RIGHT)**



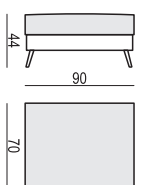
**CORNER 90° No.1**



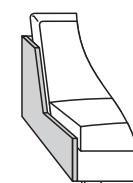
**CORNER 90° No.2**



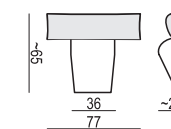
**FOOTSTOOL**



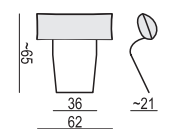
**ENDPART LEFT (or RIGHT)**  
cm 95 x 4 x 54 H



**HEADREST L-77**



**HEADREST L-62**

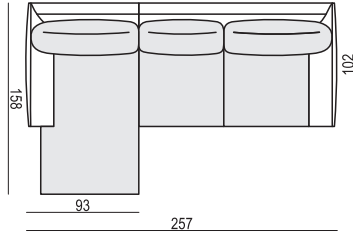


# STELLA

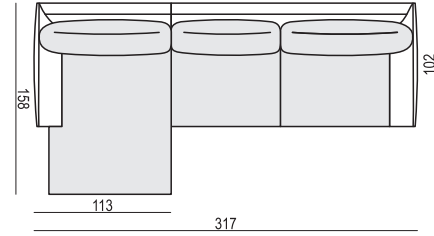
Drawings show dimensions for standard comfort.  
Elements in lux comfort are around 3 cm higher.

www.sits.eu  
DECEMBER 2018

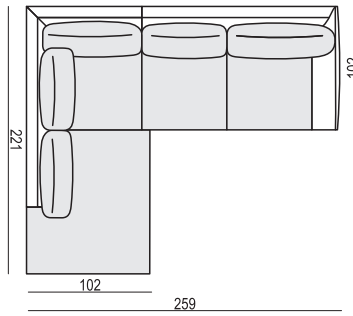
**SET 1 LEFT (or RIGHT)**  
**CHAISELONGUE LEFT (or RIGHT) + 2 SEATER RIGHT (or LEFT)**



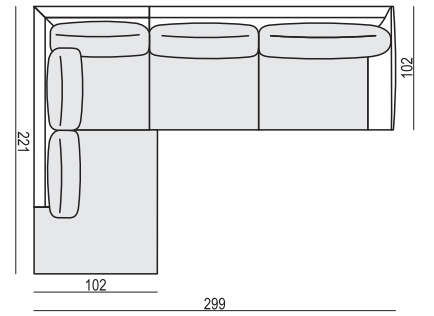
**SET 2 LEFT (or RIGHT)**  
**CHAISELONGUE WIDE LEFT (or RIGHT) + 3 SEATER RIGHT (or LEFT)**



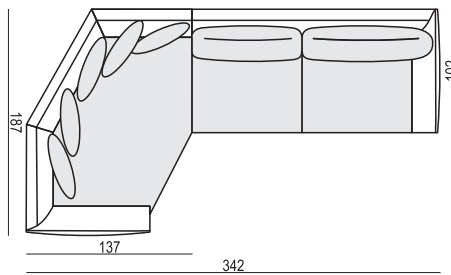
**SET 3 LEFT (or RIGHT)**  
**DIVAN LEFT (or RIGHT) + 2 SEATER RIGHT (or LEFT)**



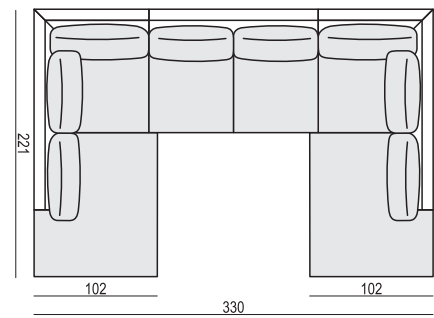
**SET 4 LEFT (or RIGHT)**  
**DIVAN LEFT (or RIGHT) + 3 SEATER RIGHT (or LEFT)**



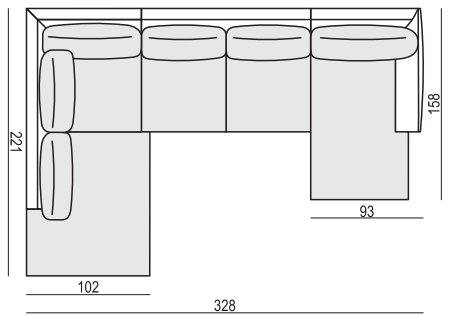
**SET 5 LEFT (or RIGHT)**  
**COZY CORNER LEFT (or RIGHT) + 3 SEATER RIGHT (or LEFT)**



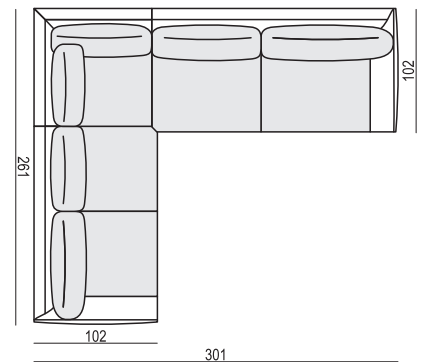
**SET 6**  
**DIVAN LEFT + 2 SEATER without ARMRESTS + DIVAN RIGHT**



**SET 7 LEFT (or RIGHT)**  
**DIVAN LEFT (or RIGHT) + 2 SEATER without ARMRESTS + CHAISELONGUE RIGHT (or LEFT)**

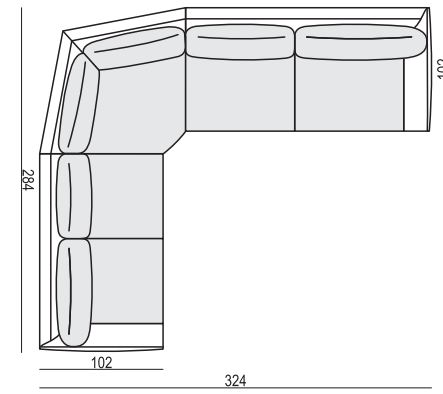


**SET 8 LEFT (or RIGHT)**  
**2 SEATER LEFT (or RIGHT) + CORNER 90° No.1 + 3 SEATER RIGHT (or LEFT)**

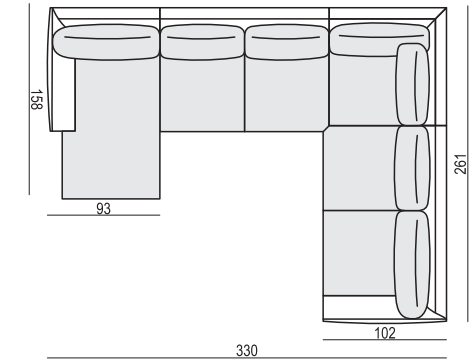


SITS reserves the right to change construction of products and components used due to improving durability of product and customer satisfaction without any further notice.  
Explicit ±2 cm tolerance of all elements sizes.

**SET 9 LEFT (or RIGHT)**  
**2 SEATER LEFT (or RIGHT) + CORNER 90° No.2 + 3 SEATER RIGHT (or LEFT)**



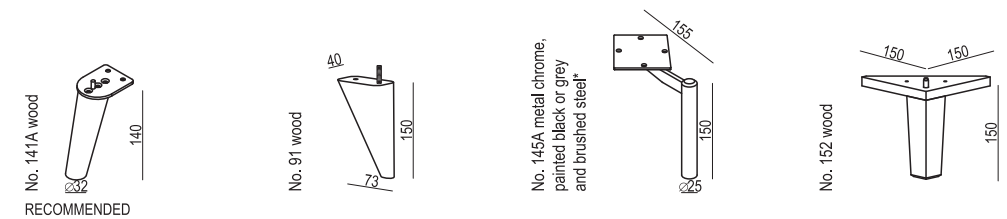
**SET 10 LEFT (or RIGHT)**  
**CHAISELONGUE LEFT (or RIGHT) + 2 SEATER without ARMRESTS + CORNER 90° No.1 + 2 SEATER RIGHT (or LEFT)**



## UPHOLSTERY

**FABRIC: FC – fix cover or LCV – loose cover with velcro**

## FEET



\*please check a cost of brushed steel finish with a sale representative

## CLASSIC COMFORT

1. polyurethane foam/high resilient polyurethane foam
2. silicone balls with foam sticks
3. springs
4. FSC® certified solid wood and wood based elements
5. fabric
6. FSC® certified solid wood or metal legs

## STANDARD COMFORT

1. polyurethane foam/ high resilient polyurethane foam
2. silicone balls lux
3. springs
4. FSC® certified solid wood and wood based elements
5. fabric
6. FSC® certified solid wood or metal legs

## LUX COMFORT

1. polyurethane foam/ high resilient polyurethane foam
2. cushion chamber with mix of feather and silicone balls
3. springs
4. FSC® certified solid wood and wood based elements
5. fabric
6. FSC® certified solid wood or metal legs