

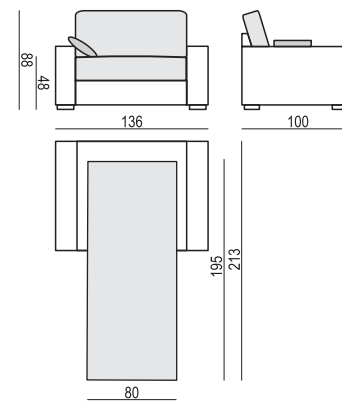
**SITS**  
— comfortable life

LUKAS

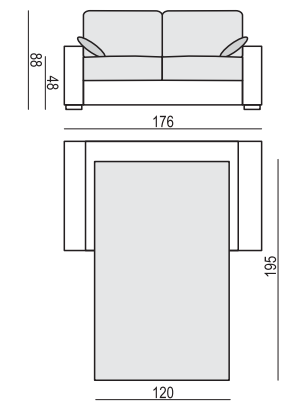
Drawings show combinations with armrest II.  
Combinations with other armrest are properly longer or shorter in width.  
Foam or bonell mattress available.

www.sits.eu  
NOVEMBER 2018

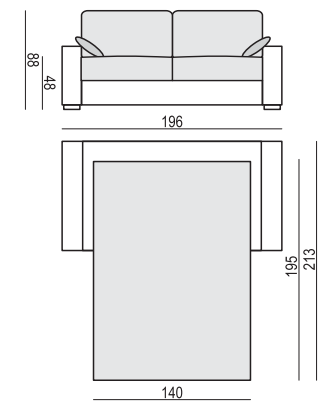
ARMCHAIR SOFA BED



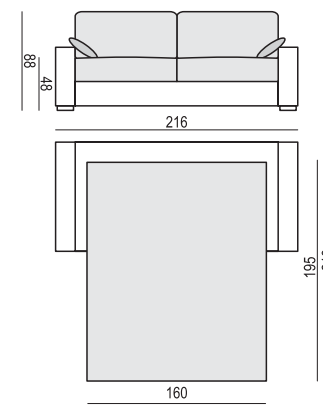
2 SEATER SOFA BED



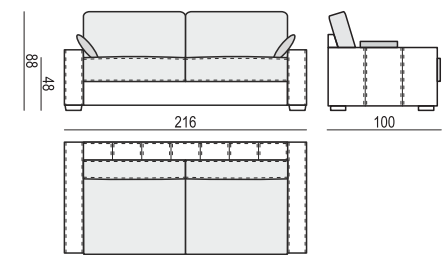
3 SEATER SOFA BED



4 SEATER SOFA BED

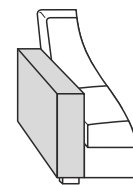


EXAMPLE OF LEATHER COVER  
4 SEATER SOFA BED

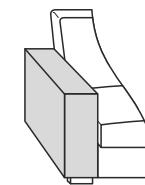


ARMRESTS

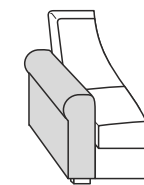
ARMREST I  
cm 98 x 12 x 54 H



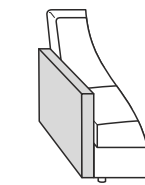
ARMREST II  
cm 98 x 17 x 54 H



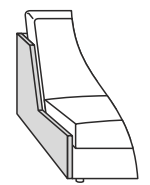
ARMREST III  
cm 98 x 18 x 54 H



ARMREST IV  
cm 98 x 5 x 54 H



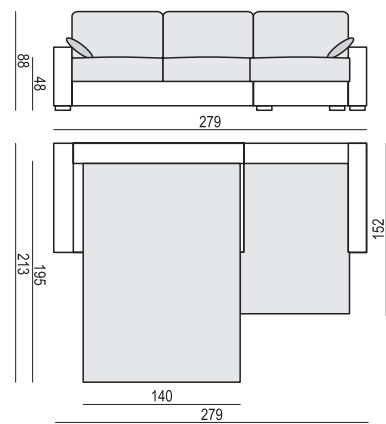
ENDPART LEFT (or RIGHT)  
cm 95 x 4 x 64 H



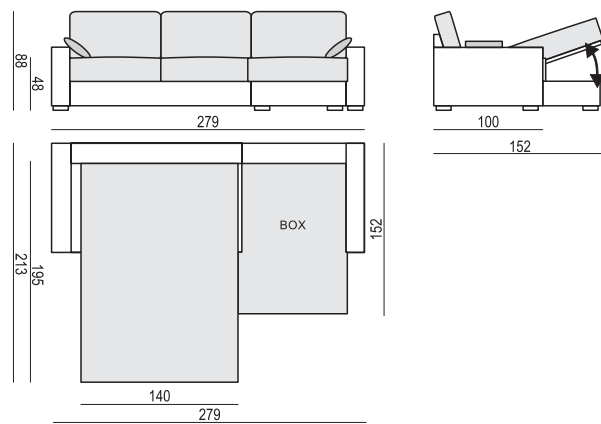
home  
& family

LUKAS

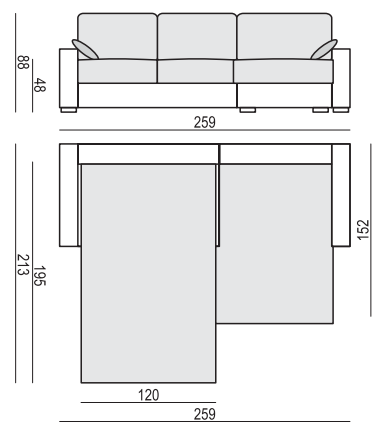
**SET 1 RIGHT (or LEFT)**  
3 SEATER SOFA BED LEFT (or RIGHT) + CHAISELONGUE RIGHT (or LEFT)



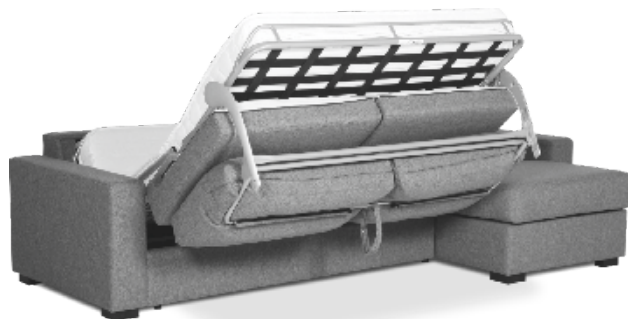
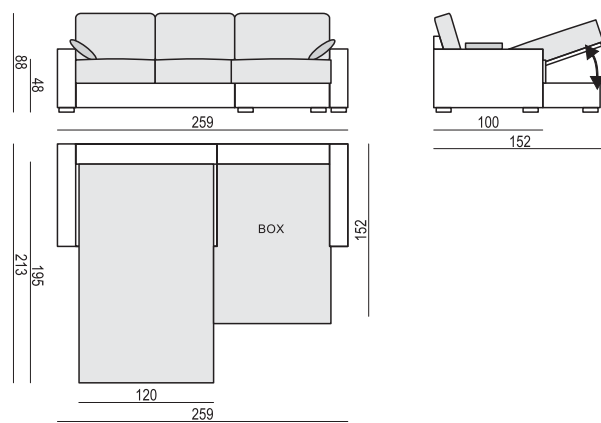
**SET 2 RIGHT (or LEFT)**  
3 SEATER SOFA BED LEFT (or RIGHT) + CHAISELONGUE BOX RIGHT (or LEFT)



**SET 3 RIGHT (or LEFT)**  
2 SEATER SOFA BED LEFT (or RIGHT) + CHAISELONGUE RIGHT (or LEFT)



**SET 4 RIGHT (or LEFT)**  
2 SEATER SOFA BED LEFT (or RIGHT) + CHAISELONGUE BOX RIGHT (or LEFT)



## UPHOLSTERY

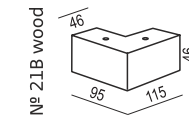
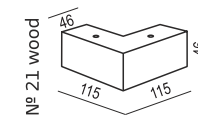
## FABRIC or LEATHER: FC - fix cover

### FEET

ARMREST II

ARMREST I and III

ARMREST IV and ENDPART  
- only plastic support from sofa bed



## COMFORT

1. polyurethane foam/ high resilient polyurethane foam
2. polyurethane foam or bonnell springs mattress
3. foam flakes with silicone balls
4. silicone balls
5. FSC® certified solid wood and wood based elements
6. metal mechanism
7. fabric or leather
8. FSC® certified solid wood legs