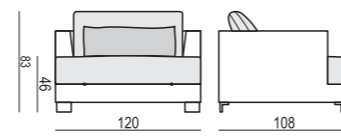
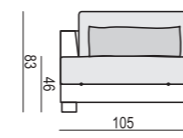


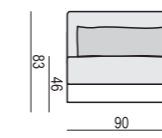
**ARMCHAIR**



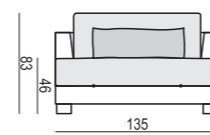
**ARMCHAIR LEFT (or RIGHT)**



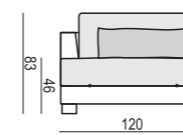
**ARMCHAIR without ARMRESTS**



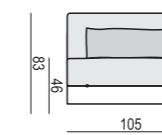
**ARMCHAIR WIDE**



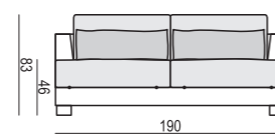
**ARMCHAIR WIDE LEFT (or RIGHT)**



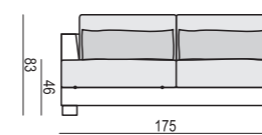
**ARMCHAIR WIDE without ARMRESTS**



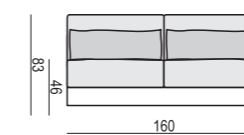
**2 SEATER**



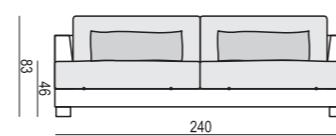
**2 SEATER LEFT (or RIGHT)**



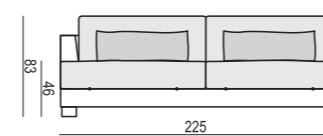
**2 SEATER without ARMRESTS**



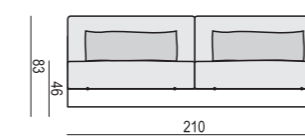
**3 SEATER or 3 SEATER TWO PARTS**



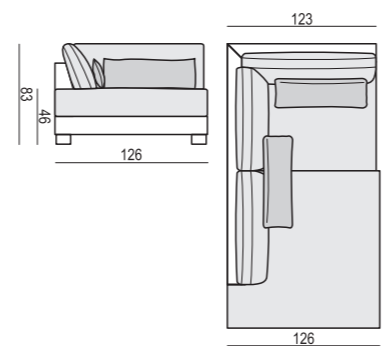
**3 SEATER LEFT (or RIGHT)**



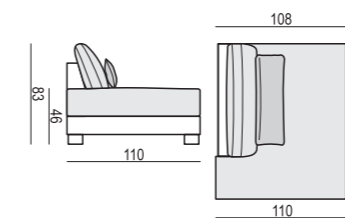
**3 SEATER without ARMRESTS**



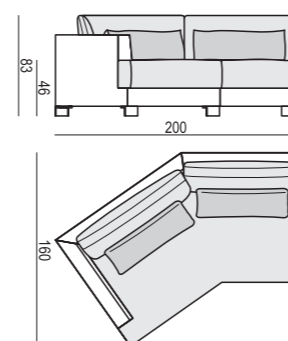
**DIVAN LEFT (or RIGHT)  
or DIVAN TWO PARTS LEFT (or RIGHT)**



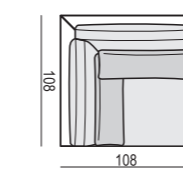
**BENCH LEFT (or RIGHT)**



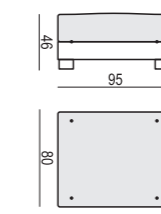
**CORNER 35° LEFT (or RIGHT)**



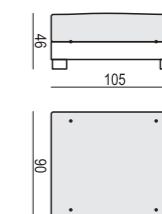
**CORNER 90°**



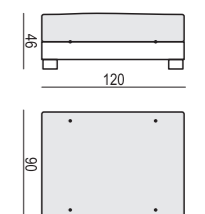
**FOOTSTOOL 95x80**



**FOOTSTOOL 105x90**

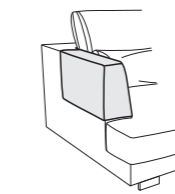


**FOOTSTOOL 120x90**

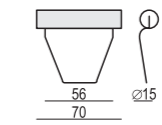


**ACCESSORIES**

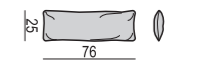
**ARMREST PROTECTOR**



**HEADREST with ROLL L-70**

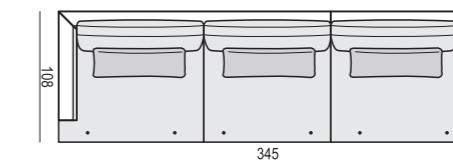


**CUSHION 76x25**



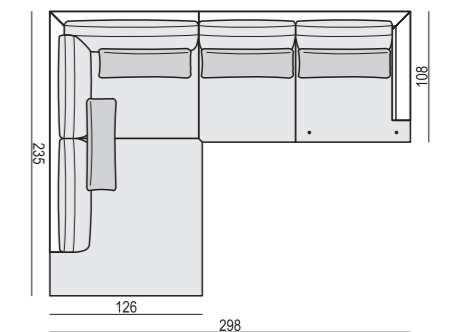
**SET 1**

**3 SEATER LEFT + ARMCHAIR WIDE RIGHT**



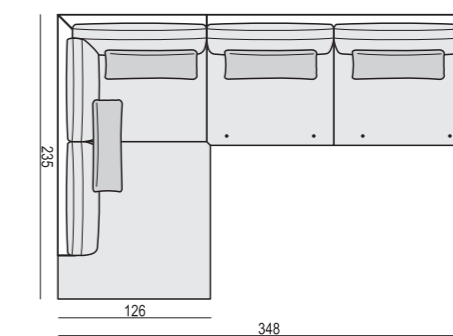
**SET 2 LEFT (or RIGHT)**

**DIVAN LEFT (or RIGHT) + 2 SEATER RIGHT (or LEFT)**



**SET 3 LEFT (or RIGHT)**

**DIVAN LEFT (or RIGHT) + 3 SEATER RIGHT (or LEFT)**



**SET 4 LEFT (or RIGHT)**

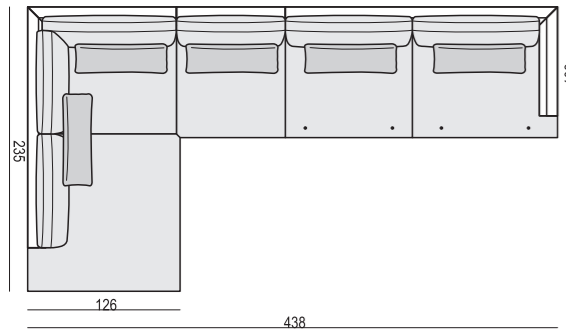
**DIVAN LEFT (or RIGHT) + ARMCHAIR without ARMRESTS + 2 SEATER RIGHT (or LEFT)**



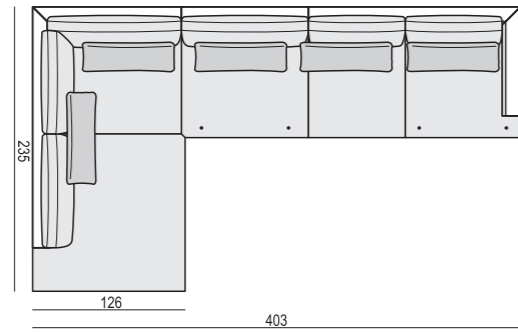
# BRANDON

www.sits.eu  
MAY 2018

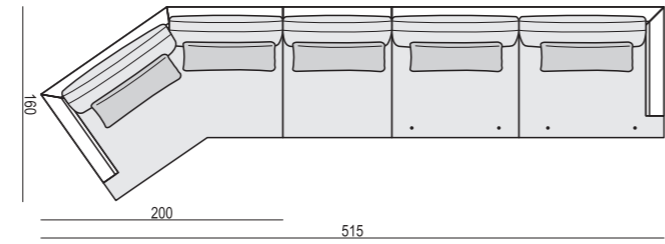
**SET 5 LEFT (or RIGHT)**  
DIVAN LEFT (or RIGHT) + ARMCHAIR without ARMRESTS  
+3 SEATER RIGHT (or LEFT)



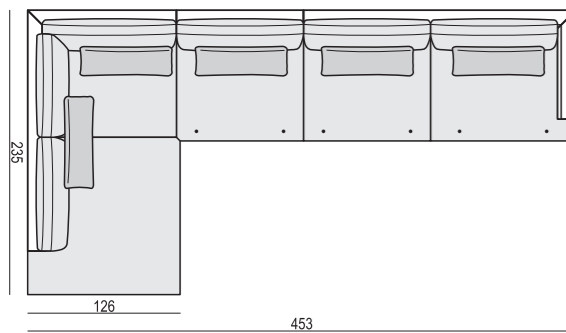
**SET 6 LEFT (or RIGHT)**  
DIVAN LEFT (or RIGHT) + ARMCHAIR WIDE without ARMRESTS  
+2 SEATER RIGHT (or LEFT)



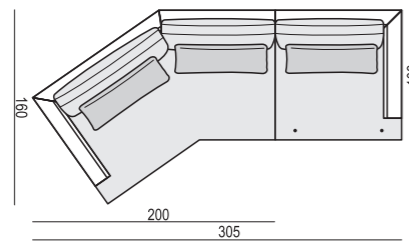
**SET 12 LEFT (or RIGHT)**  
CORNER 35° LEFT (or RIGHT) + ARMCHAIR without ARMRESTS  
3 SEATER RIGHT (or LEFT)



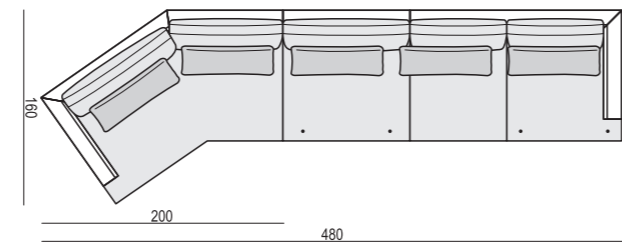
**SET 7 LEFT (or RIGHT)**  
DIVAN LEFT (or RIGHT) + ARMCHAIR WIDE without ARMRESTS  
+3 SEATER RIGHT (or LEFT)



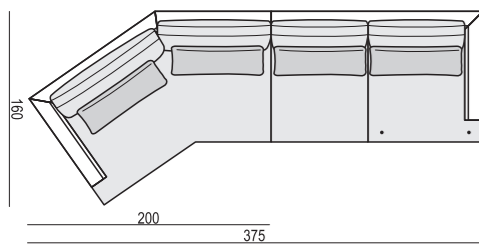
**SET 8 LEFT (or RIGHT)**  
CORNER 35° LEFT (or RIGHT) + ARMCHAIR RIGHT (or LEFT)



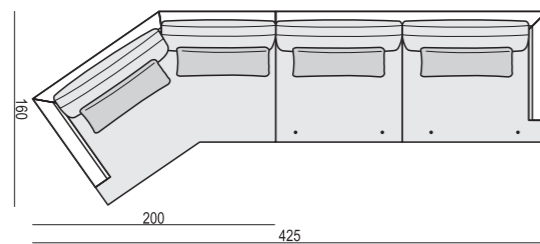
**SET 13 LEFT (or RIGHT)**  
CORNER 35° LEFT (or RIGHT) + ARMCHAIR WIDE without ARMRESTS  
2 SEATER RIGHT (or LEFT)



**SET 9 LEFT (or RIGHT)**  
CORNER 35° LEFT (or RIGHT) + 2 SEATER RIGHT (or LEFT)



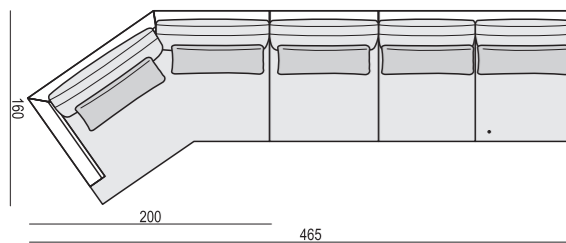
**SET 10 LEFT (or RIGHT)**  
CORNER 35° LEFT (or RIGHT) + 3 SEATER RIGHT (or LEFT)



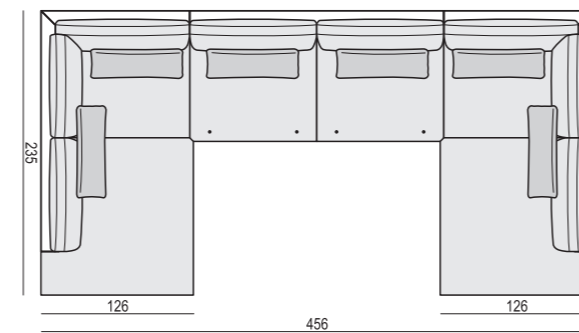
**SET 14 LEFT (or RIGHT)**  
CORNER 35° LEFT (or RIGHT) + ARMCHAIR WIDE without ARMRESTS  
3 SEATER RIGHT (or LEFT)



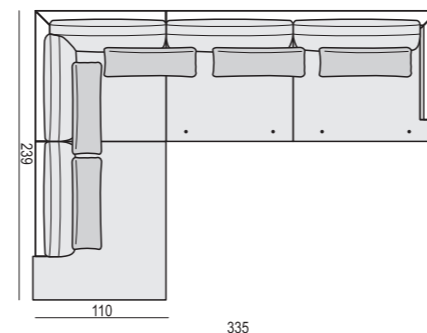
**SET 11 LEFT (or RIGHT)**  
CORNER 35° LEFT (or RIGHT) + ARMCHAIR without ARMRESTS  
2 SEATER RIGHT (or LEFT)



**SET 15**  
DIVAN LEFT + 3 SEATER without ARMRESTS + DIVAN RIGHT



**SET 16 LEFT (or RIGHT)**  
BENCH LEFT (or RIGHT) + CORNER 90°  
3 SEATER RIGHT (or LEFT)

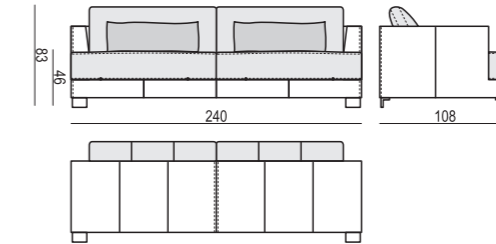


# BRANDON

SITS reserves the right to change construction of products and components used due to improving durability of product and customer satisfaction without any further notice. Explicit ±2 cm tolerance of all elements sizes.

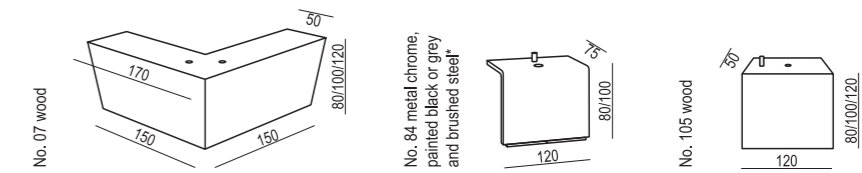
## EXAMPLE OF LEATHER COVER

### 3 SEATER TWO PARTS



**UPHOLSTERY** FABRIC: FC - fix cover or LC - loose cover; LEATHER: FC - fix cover

### FEET



\*please check a cost of brushed steel finish with a sale representative

### LUX COMFORT

1. polyurethane foam/high resilient polyurethane foam
2. cushion chamber with mix of feather and silicone balls
3. upholstery belts
4. FSC® certified solid wood and wood based elements
5. fabric and leather
6. FSC® certified solid wood or metal legs